

## Options



### Newly enhanced controller

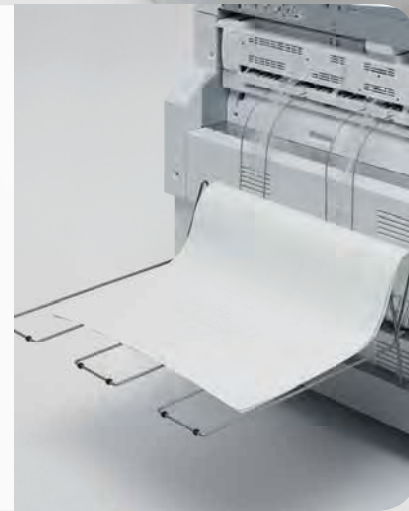
Offers an enhanced controller as well as full network connectivity to streamline your digital wide-format workflow and deliver consistently high throughput.

### Flexible layout

To ensure the most efficient layout, stack capacity can be increased to include A0 size as well as automatic folder and stackers.

Options:

- Multi stacker
- Double stacker
- Scanner separation unit
- Original hanger



### Solution support

Ricoh's Usable Print Utility (PrintCopy tool) allows you to centralise management of vast numbers of references and drawings. Its many features include the ability to scan drawings on your Ricoh printer and print them out on a different one or plotter.

@Remote allows monitoring, managing and servicing of your Ricoh printer. This helps improve workflow, auto meter reading and toner replenishment, which can reduce costs and device downtime.



## MP W7100SP/W8140SP

MAIN SPECIFICATIONS

### GENERAL

|                    |  |
|--------------------|--|
| Technology:        | Electro-photographic printing  |
| Fusing:            | Heat and pressure  |
| Toner Type:        | Magnetic brush dual component dry toner system   |
| Print Speed:       | MPW7100SP: 5ppm @A0/E SEF, 10ppm @A1/D LEF<br>MPW8140SP: 7ppm @A0/E SEF, 14ppm @A1/D LEF     |
| Copy Speed:        | MPW7100SP: 120mm/sec 10cpm/ppm @ A1/D LEF<br>MPW8140SP: 170mm/sec 14cpm/ppm @ A1/D LEF       |
| Print Resolution:  | RPCS 600dpi PS3/PDF 600/300dpi<br>RP-GL/GL2 600dpi/400dpi<br>RTIFF 600/400/300/200dpi 600dpi |
| Copy Resolution:   | Less than 120 sec.   |
| Warm-up time:      | 1,250 x 755 x 1,215mm  |
| Dimensions (WxDxH) | Less than 295kg  |
| Weight:            | 220V-240V/8A 50/60Hz   |
| Power Source:      | Printing: less than 3kW  |
| Power Consumption: |  |

### SCANNER FEATURE

|                            |   |
|----------------------------|---|
| Colour Scanner Resolution: | 150/200*/300/400/600 *Default<br>Twain<br>150-1200dpi   |
| Scan Speed:                | BW 42.5-340mm/s   |
| Scan Area:                 | Max: MPW7100SP:<br>(Metric) 914.4mm x 15,000mm<br>MPW8140SP:<br>(Metric) 914.4mm x 30,000mm<br>Min: 210mm x 210mm |

### MEDIA HANDLING

|                       |   |
|-----------------------|---|
| Paper Input Capacity: | SEF: A0/A1/A2/A3/A4<br>LEF: A1/A2/A3/A4   |
| Original width:       | 210-914.4mm   |
| Maximum width:        | 914mm   |
| Paper size:           | Maximum: 914 x 150,00mm<br>2 roll papers Width : 210mm - 914mm Max length: 15,000mm<br>Roll Paper: 51-134g/m <sup>2</sup> |
| Paper Weight:         |   |

### PRINT CONTROLLER SPECIFICATION

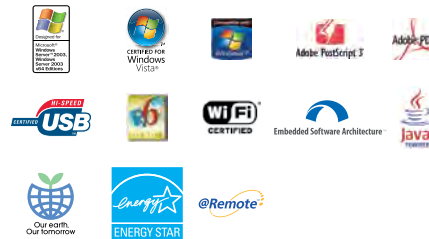
|                           |  |
|---------------------------|--|
| Configuration:            | Embedded<br>(Copier-Printer-Scanner)<br>Calpella (1.06 GHz)  |
| CPU:                      | 2.5GB  |
| Memory:                   | 320GB(Shared with Copy/Printer/Scanner applications)   |
| HDD:                      | Windows: XP/Vista/7/8/8.1/2003server/2008server/2008R2server/2012server/2012serverR2<br>Mac: OS (later than Mac OS8.6)<br>Mac: OS X (later than Mac OS X10.7)<br>Citrix Presentation: Server 4.5 |
| Operating System:         | TCP/IP(IPv4, IPv6), IPX/SPX, Auto switching available  |
| Network Protocol:         | PostScript Level3(PDF), RPCS, Emulation: HP-GL, HP-GL/2(HP-RTL), TIF(CALS)<br>European 136 fonts   |
| Supported Print Language: | Standard: 100/10base-TX, USB2.0<br>Option: IEEE802.11a/g/n (wireless)<br>2 slots USB 2.0 host  |
| Font:                     |  |
| Network Interface:        |  |
| Service Interface:        |  |

### OTHER OPTIONS

2 Roll Unit/2 cassette Unit/Scanner separation kit/Multi stacker/Double stacker.

### ENVIRONMENTAL INFORMATION

MP W7100SP/W8140SP complies with Energy Star 1.1 standards.  
EPEAT 'GOLD'.



The Mono Wide Format Multi-Function Printer

# RICOH MP W7100SP MP W8140SP

Copier  Printer  Scanner



Ricoh  
MP W7100SP

10  
ppm B/W

Ricoh  
MP W8140SP

14  
ppm B/W

**RICOH**  
imagine. change.

URL: <http://www.ricoh.co.in>

### RICOH INDIA LIMITED

CORPORATE OFFICE: 7th, 11th Floors, Tower 'B', Windsor IT Park, A-1, Sector 125, Expressway, Gautam Budh Nagar, Noida, Uttar Pradesh - 201301  
Tel: (0120) 4582900, Service toll free number : 1800 103 0066 & 1800 116 600, Email: ri.li.info@ricoh.co.in  
REGISTERED OFFICE: 801, 8th Floor, Ackruti Star, MIDC Central Road, Andheri-East, Mumbai - 400 093 Tel: (022) 66833000  
Fax: (022) 67032099  
Bangalore, Chennai, Noida, Gurgaon, Hyderabad, Kolkata, Mumbai, Pune.

For more information, please contact:

**RICOH**  
imagine. change.

**Meeting the needs of heavy volume users with high speed and productivity. The revolutionary monochrome wide format printer delivers the highest level of detailing.**

The Ricoh MP W7100/8140SP has been tailored to cater for your engineering needs. The new series delivers high speed performance, flexible layout and new features that would drive your business and profits.

## Ricoh MP W7100/8140SP

Wide format printing that offers great productivity

### High Productivity

- High-speed output of A1 size paper-up to 14 page per minute
- High-speed scanning at 42.5-340mm per second

### High Quality Achieve exceptional print quality

- 600 dpi high resolution print output
- CIS scanning makes it ideally suited for scanning the finest details

### Simple Operability

- Exceptionally easy to use as all office multifunction devices
- USB/SD slot available

### Flexibility for Every Environment

- Large array of options available to streamline paper handling workflow

### Security

- Configuring of user authentication, restricting of machine usage, enhancement of network security
- Hard disc overwrite and data encryption available to prevent data leakage



## Printing / Scanning



### Printer Controller: Simple, Versatile, Secure

A fast and robust print controller that supports various file formats that are commonly used in the CAD market. Improves productivity by executing high speed processing.

### Built-In Printing

- Driver supports- Web To Print Tool to build job sets from HP-GL, TIFF,CALS and JPEG file format

### Scanning:

Advanced technology allows end users to do printing and scanning simultaneously

### Built-In Color Scanner

- Minimize system footprint with the embedded color scanner
- Scan documents directly to e-mail, USB/SD, Folders, URL, Document Server
- Scan documents of extensive sizes and types

### Built to Last:

The Ricoh MP W7100/8140SP is robust and durable. Ricoh products are designed to be a long-term investment for your organization- even in the most demand.

- Maximize your Total Cost of Ownership(TCO) by investing in a system with an exceptionally long life expectancy

### Security

You can be rest assured that the Ricoh W7140/W8100SP provides you and your customers the secured transmission of business critical data so essential for transactional communications.

### Restrict users by using user authentication

- Prevention of unauthorized usage

### Data Protection

- The Ricoh W7140/W8100SP comes with the security function, that overwrites and erases files from the hard disk to prevent data leakage

### Encryption

- Once the data encryption has been enabled, data leakage can be prevented on the machine, such as Address book, authentication data, and files. You can choose to encrypt or delete the data currently stored on the machine